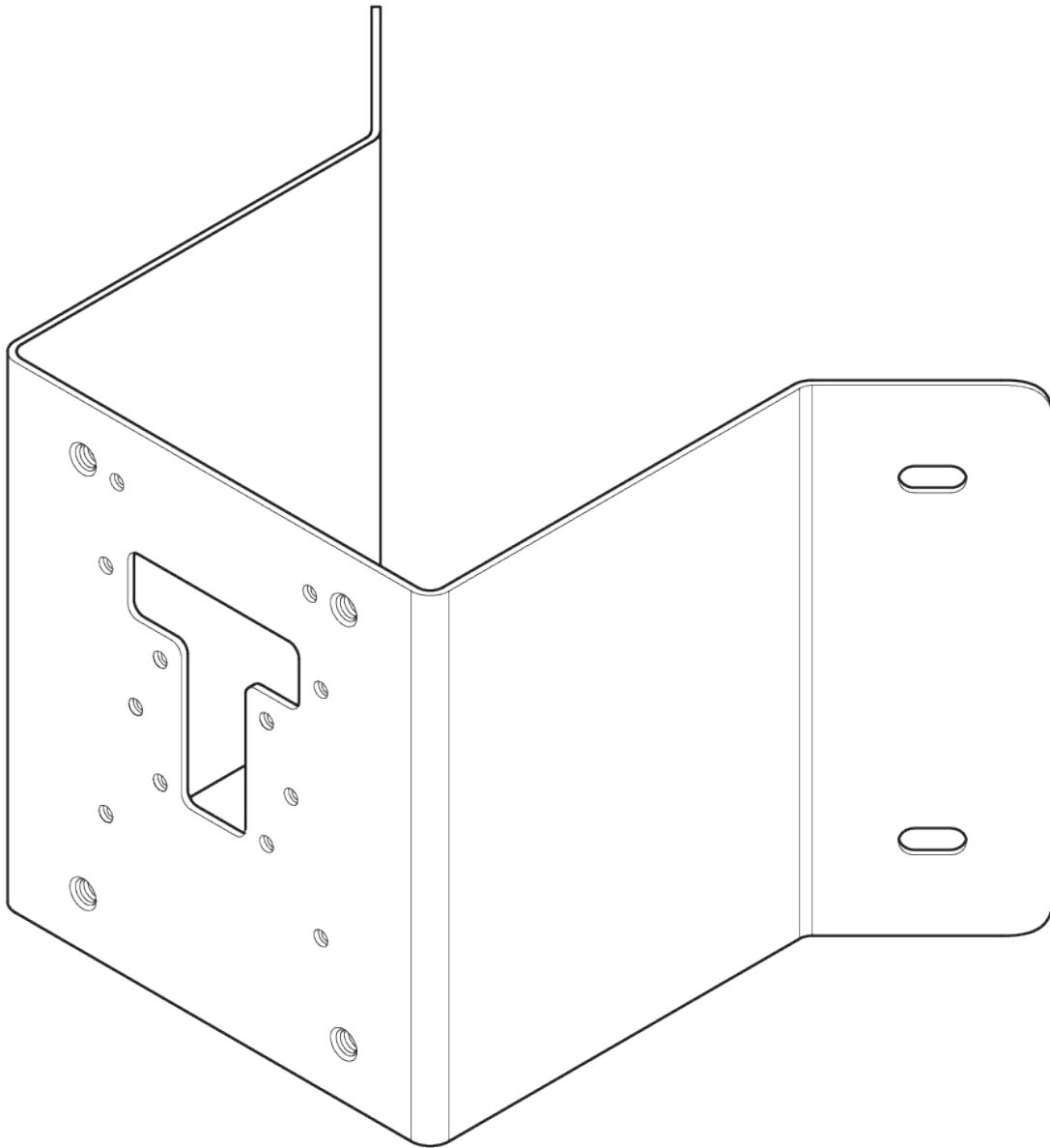
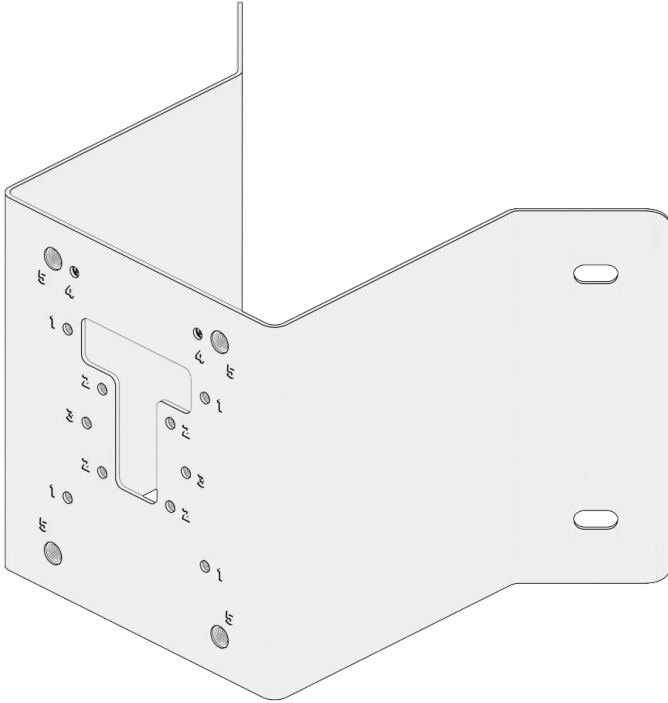


# ACC-MNT-CORNER-1

## Corner Mount



## What's in the box

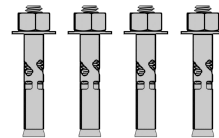


ACC-MNT-CORNER-1



**M4x0.7 Machine Screw (4 pcs)**

Length: 14mm Drive: #2 Phillips



**1/4\"-20 Sleeve Anchors (4 pcs)**

Length: 2-3/4\" Drill Size: 5/16\"

## What you'll need

- A compatible Verkada product
- 1/2 inch (12.7mm) drill bit, or larger, for routing cable through wall
- 5/16 inch (7.9mm) drill bit for sleeve anchors
- 13/32 inch (10mm) wrench for nuts

## Compatible products

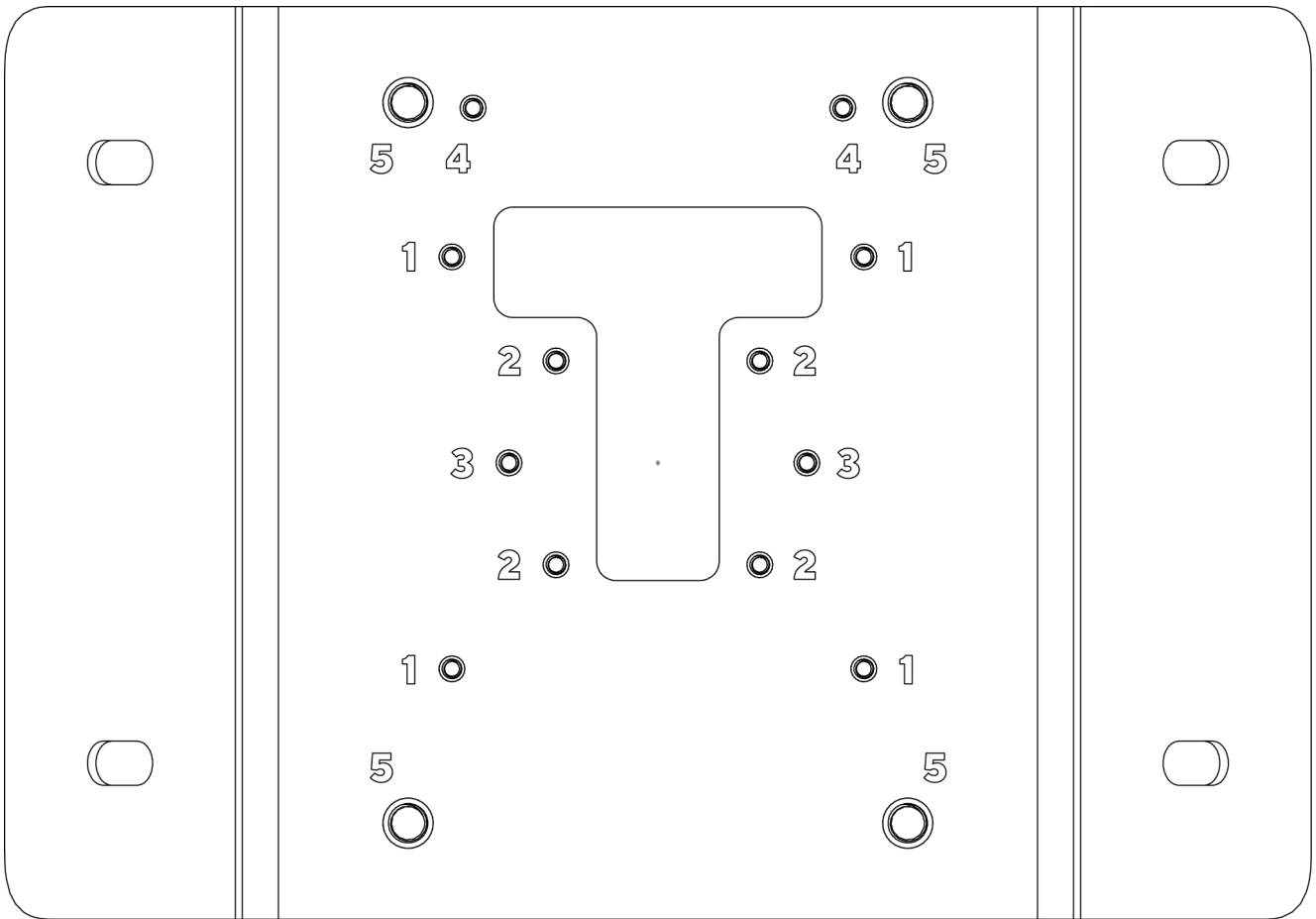
For a list of compatible products, please visit:

<https://docs.verkada.com/docs/accessories-overview.pdf>



## Hole Patterns

- 1 CD/CF series, Verkada mounts
- 2 CB series
- 3 CM series
- 4 ACC-CAM-SHIELD-1
- 5 ACC-MNT-XLARM-1



## Mounting

### Wall Mounting

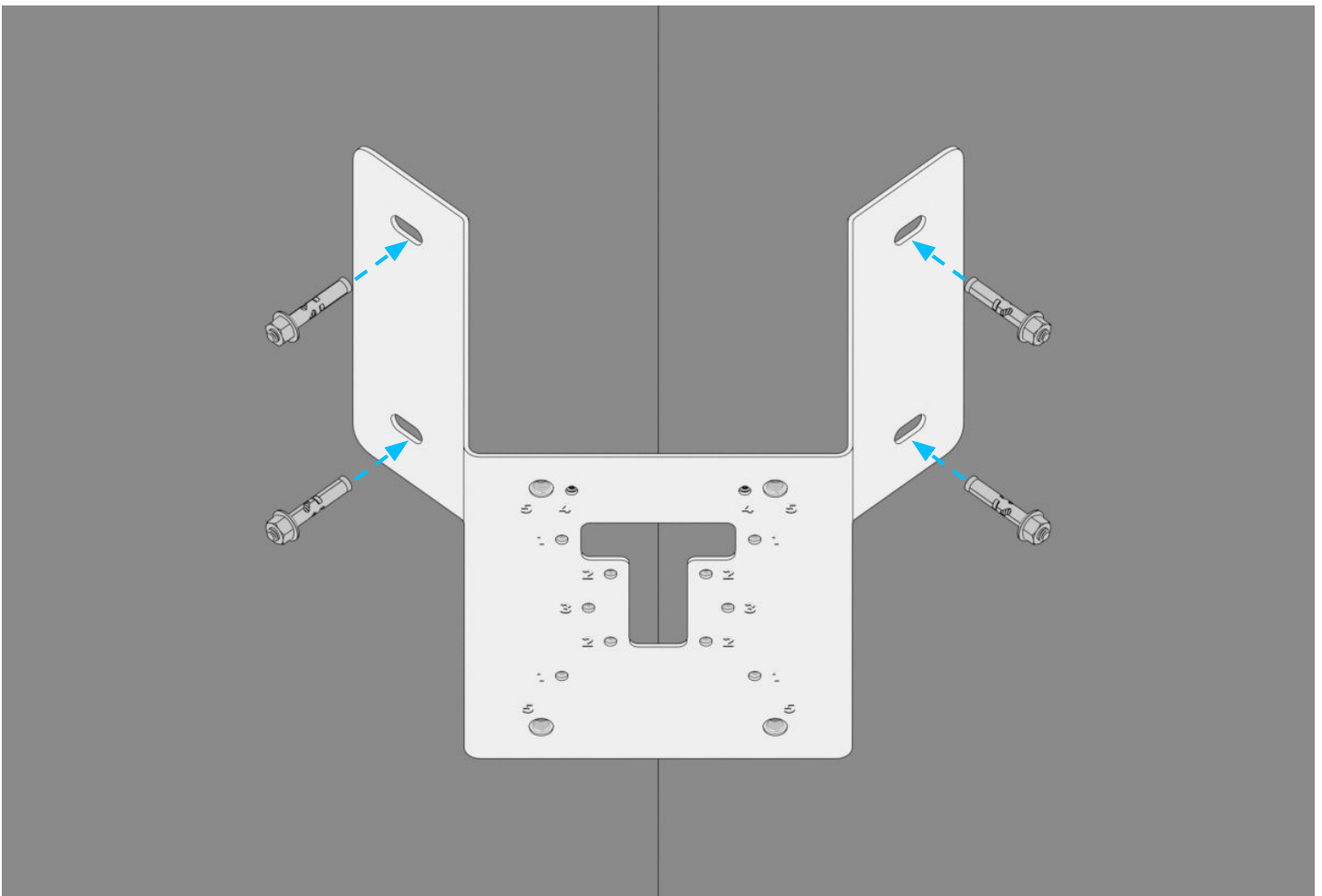
Drill 5/16" pilot holes to a minimum depth of 1-1/4".

Clear the hole of debris and insert the sleeve anchors from **Hardware Bag A** into the pilot holes using the sidemost slots.

Fully secure the corner mount by attaching nuts and tightening them.

### Camera & Accessory Mounting

For detailed mounting instructions related to Verkada products, please see their install guide.



## Appendix

# Support

Thank you for purchasing this Verkada product. If for any reason you're experiencing issues or need assistance, please contact our 24/7 Technical Support Team immediately.

Sincerely,  
The Verkada Team  
[verkada.com/support](https://verkada.com/support)

